

PRODUCT CODE

PRO-R GUTTER SENSOR

PRODUCT DESCRIPTION

An automatic control system for gutters and downspouts, employs one or more PRO-R Gutter Ice Sensors and an APS-3C Control Panel.

Heaters operate only if moisture occurs at temperatures below 38°F(3.3°C), thus saving energy and ensuring reliable ice melting.

Since the PRO-R mounts in gutters and downspouts it senses actual environmental conditions. This improves sensing accuracy. Solid state moisture and temperature sensors provide the sensitivity required for effective automatic control. Ice bridging occurs if incomplete melting occurs near the heater or sensor leaving an air space.

The air insulates thus preventing effective heater and sensor operation. The PRO-R's unique microcontroller design frees its moisture sensor from ice bridging.

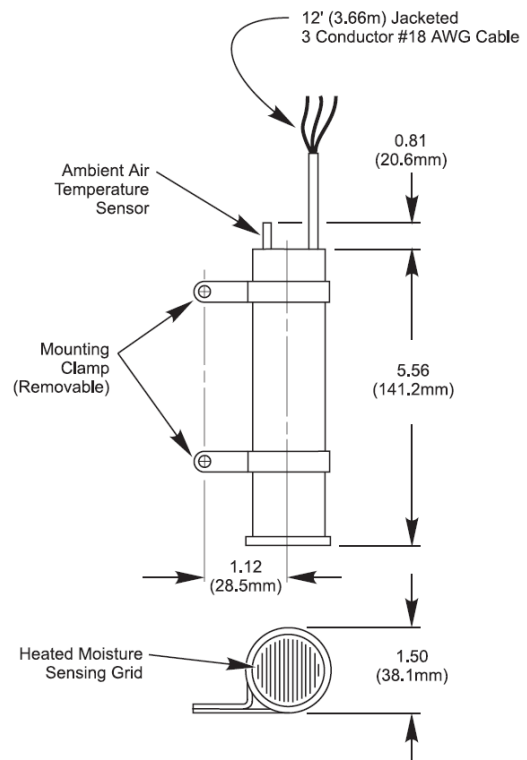
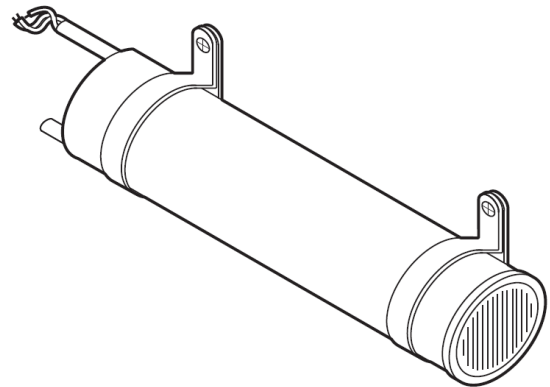
Additional features prevent heater operation under conditions favorable to heater ice tunneling. Low Voltage operation simplifies installation. Sensors can be located up to 2,000' (609.6m) away from the control panel.

ADVANTAGES

- Minimum snow melting costs
- No supervision required
- Simple installation

SPECIFICATION

Area of Use	Gutters
Heater hold-on timer	None
Activation Temperature	38°F (3.37°C)
Circuit type	NEC Class 2
Supply voltage	24 VAC (Supplied by panel)
Bus-wire type	3-wire jacketed cable
Lead Length	Up to 2,000' (609m) using 12 AWG 3-wire jacketed cable Up to 500' (152m) using 18 AWG 3-wire jacketed cable
Operating temperature	-40°F to 160°F (-40°C to 71°C)
Storage temperature	-50°F to 180°F (-45°C to 82°C)

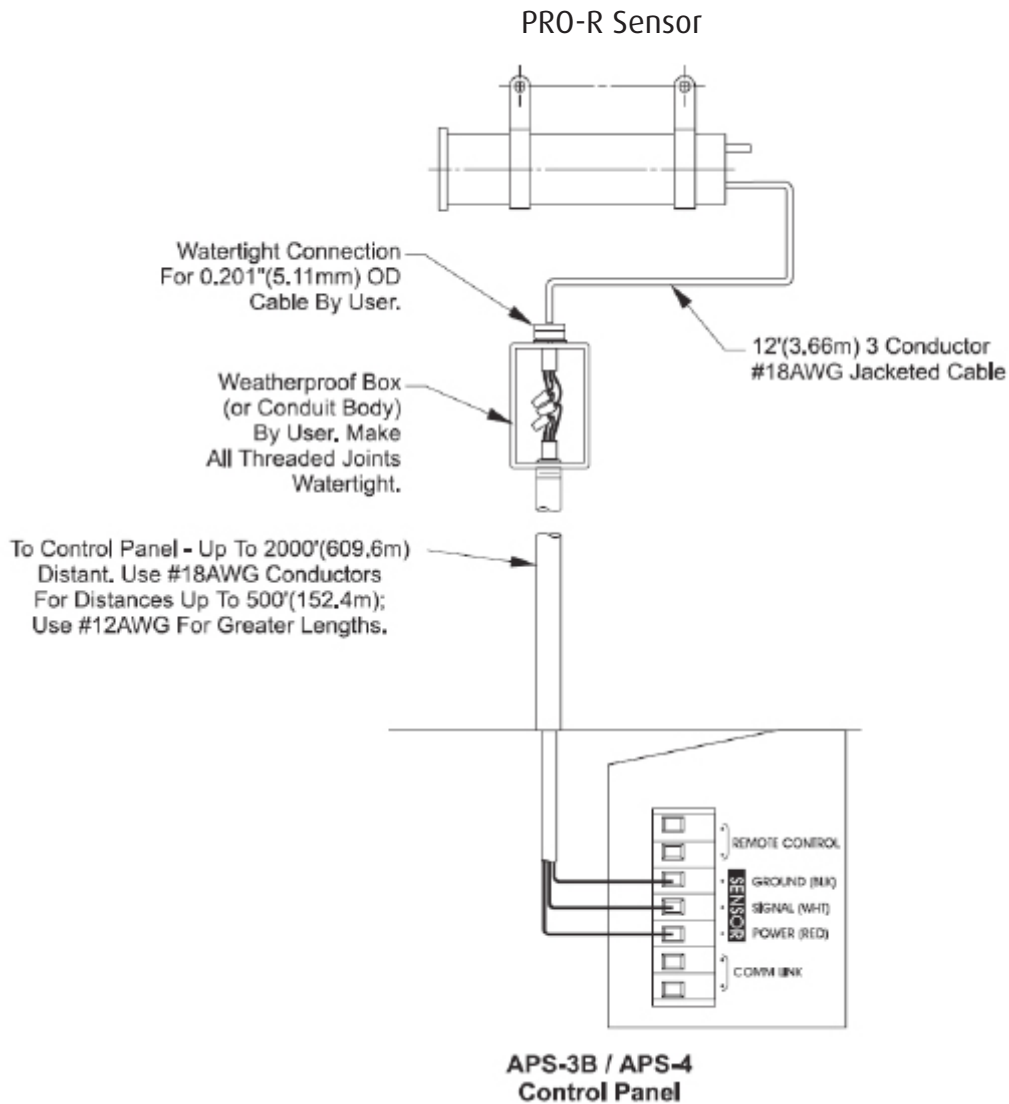


INSTALLATION

For the installation, choose an unobstructed, elevated location exposed to snowfall.

Gutters: Position sensor within 1/4" (6.4mm) of gutter bottom with moisture sensing grid facing downstream (ambient air temperature sensor facing up stream). Sensor may be fastened to the fascia using the mounting clamps and gasketed screws (not furnished).

Downspouts: Fold cable back parallel to sensor body and secure with mounting clamps. Suspend sensor in downspout with moisture sensing grid facing up (ambient air temperature sensor facing down).





The world's **best-selling** electric floor heating brand™

PRO-R GUTTER ICE SENSOR SUBMITTAL SHEET WSC-2312

WARRANTY & MAINTENANCE

When installed according to the installation manual, the PRO-R is covered with Warmup's 2-year manufacturer warranty.

TECHNICAL SUPPORT

Warmup is available 24/7/365 at (888) 927-6333.

For quotes, layouts and specific technical information, contact us at:

Warmup USA

25 Francis J Clarke Cir., Suite A, Danbury, CT 06810

(888) 927-6333

us@warmup.com

Warmup CANADA

374 Wellington St W, Toronto, ON M5V 1E3

(905) 990-2075

ca@warmup.com

RELATED PRODUCTS

- PRO-A Aerial Snow Sensor
- PRO-G-H Pavement Mounted Snow Sensor
- SNOPRO-100W WiFi and SNOPRO-100

WARMUP INC.

USA: us@warmup.com

Tel.: 1-888-927-6333

www.warmup.com

CANADA: ca@warmup.com

Tel.: 1-888-592-7687

www.warmup.ca



The world's **best-selling** electric floor heating brand™